



Safety Products Brochure



REID PORTA GANTRY

REID PORTA DAVIT

> Contents

04	About REID	12	Working at Height
06	Choosing REID	16	TDAVIT
08	Dedicated training	20	PORTADAVIT <small>QUANTUM</small>
09	Quality & safety	24	PORTABASE
10	Custom Solutions	28	PORTAGANTRY
		32	Confined Spaces
		36	TDAVIT
		40	PORTADAVIT <small>QUANTUM</small>
		44	PORTABASE
		48	PORTAGANTRY <small>RAPIDE</small>
		52	Sockets & Pedestals
		56	Technical Guidance



Making light work of **lifting** and **lowering**.

Since 1996, REID Lifting have been combining innovative design with expert engineering to create lightweight, portable, aluminium lifting systems that help our customers to achieve their operational and safety objectives efficiently and effectively.

From our headquarters in Monmouthshire, in the United Kingdom, we expertly engineer our systems through the use of lightweight aluminium as an alternative to steel, setting a precedent for innovation and successful experimentation, leading us to become one of the global pioneers in lifting technology today.

Many of our products are patented and have become the industry-standard for lifting solutions, trusted by many leading companies in more than 50 countries around the world.

We have been duly recognised for our innovative contributions to the lifting industry, winning four prestigious Queens Awards for Innovation and International Trade, as well as being recognised as one of the UK's leading Exporters.

Here at REID Lifting, we welcome the opportunity to work with clients to successfully meet your lifting needs from our core range of products.

Should you require a special solution for a unique circumstance, we can also develop custom solutions to help meet your needs.





WLL 375kg

FRONT

32

WLL

Choosing REID

Here at REID, we have built an exceptional reputation for designing high-quality and resilient products for use across a diverse range of industries where our products are trusted.

A relationship built on trust

Our products are designed and tested to meet the most stringent compliance requirements, as well as giving clients and users absolute confidence. Functional testing of our products lies at the heart of what we do.

Safety and efficiency in any environment

To minimise the effects of environmental conditions that may cause corrosion, extend product life and reduce maintenance and inspection costs, our portable equipment is easily stored when not in use.

Many of our products offer dual functionality to enable lifting of people, including fall protection capability and lifting of materials or equipment, providing a fantastic return on investment and increasing operational efficiencies.

We can offer ATEX approval across a wide range of our products, where customers require additional levels of safety in explosive atmospheres.

For a 'clean' lifting solution

Our products can be easily cleaned or sterilised for use in clean rooms, hospitals or laboratories, making them the ideal product solution when working in hospitals, the food industry and the microelectronic industry.

One investment for multiple applications

It is more profitable to have a transportable lifting solution that can be easily moved rather than investing in several pieces of fixed equipment.

In this way, maintenance, labour, installation, testing and insurance costs can be reduced considerably. Portability and ease of assembly is at the heart of what we do.

Environmentally conscious

The manufacture of lifting equipment from easily recyclable materials with high added value ensures a considerable reduction in environmental impact and carbon emissions.

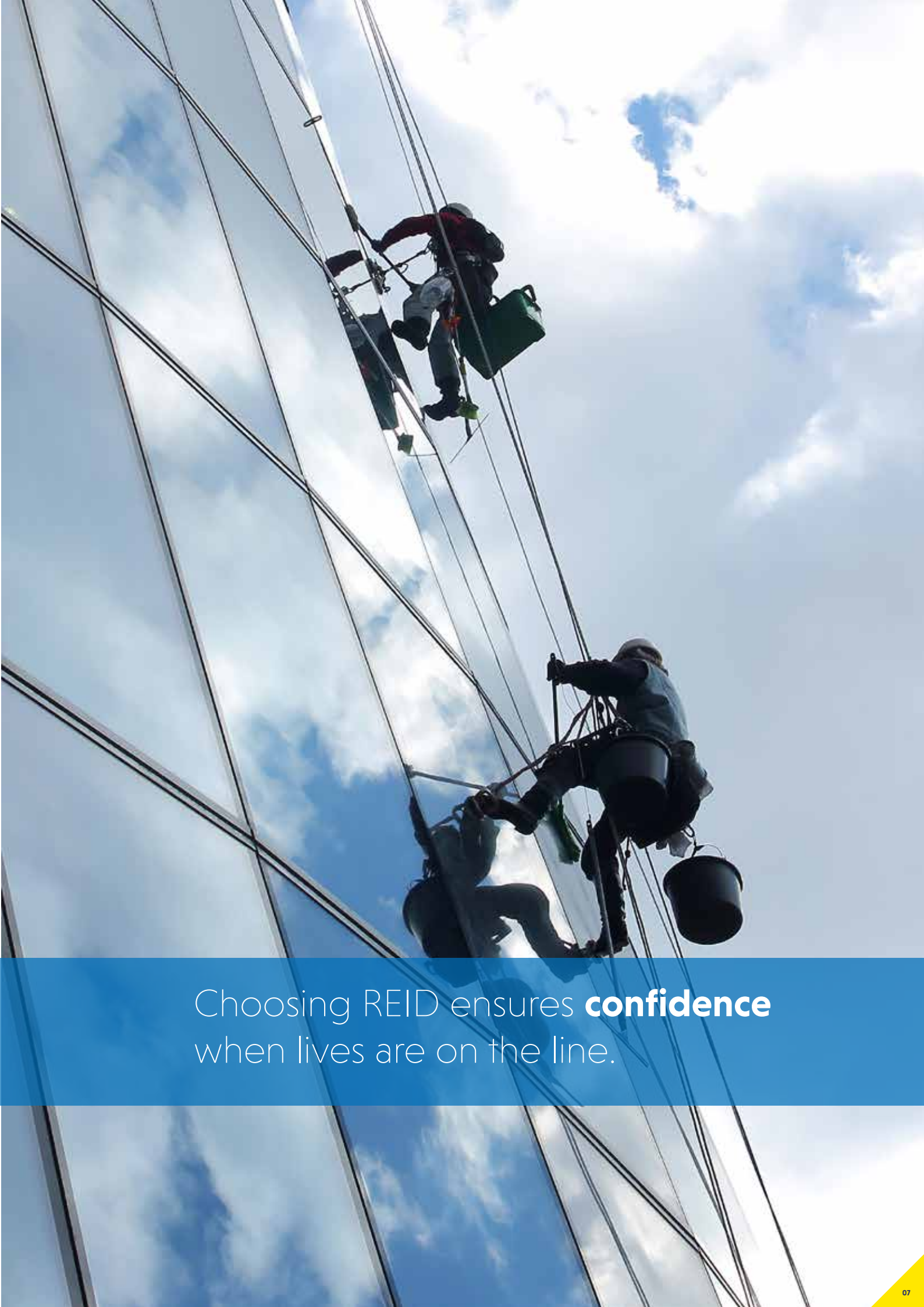
At the service of our customers

We pay special attention to our customers before, during and after the sale.

We are committed to providing individual and personalised solutions whilst ensuring a responsive and quality after-sales service.

In order to meet specific lifting situations, we can consider customisation of our products across our entire range.

In addition, we are able to diagnose, study and design new tailor-made solutions and have done so on many occasions.



Choosing REID ensures **confidence**
when lives are on the line.

➤ Dedicated Training

We're more than just product providers. It's important to us that our products are used as effectively and safely as possible, which is why we offer training for our full range of systems.

Our training is tailored to your needs and designed to make sure everybody knows how to safely assemble and use our systems. If you require further training in the field and application of use, many of our reseller partners can offer a range of training courses for working at height and in confined spaces.

training@reidlifting.com.





➤ Quality & Safety, Guaranteed

All of our products are rigorously tested for our customers benefit before they leave our factory in order to guarantee superior performance. REID products are built to last.

We operate an Integrated Management System certified by a UKAS accredited third party certification body to:

- ISO 9001:2015 – Quality Management System
- ISO 14001:2015 – Environmental Management System
- ISO 45001 – Health & Safety Management System

All REID products are designed by engineers with many years'

experience in the lifting industry which underpins the Integrated Management System.

All products undergo thorough testing to prove functional and safety compliance. This includes working with Notified Bodies to prove compliance with National and International Standards such as EN795:2012.

REID are also proud to be a member of the Lifting Equipment Engineers Association.

Product Warranty

REID products are guaranteed for 10 years (see terms and conditions for further details).

> Custom Solutions

Can't find what you need in our standard product range and need something that is more specific to your uniquely challenging requirements. Then look no further. We offer a range of customised solutions to ensure your operational objectives are met, effectively and safely.

We have a talented team of individuals with many years experience in fall protection, confined space access and lifting applications.

We pride ourselves of finding the right solution to a difficult and unique challenge. Simply get in touch on enquiries@reidlifting.com.



> Our icons explained

On each product page, these icons will help you understand more about the system, its capabilities, and limitations.



EN795 certified for personnel lifting

Fully certified temporary anchor point meeting strict requirements of EN795.2012 for protection against falls from a height and personnel lifting [as part of an EN363 compliant system].



BS8610 certified for rope access

Tested to and conforms with the requirements of BS8610:2017 Personal Fall Protection Equipment – Anchor Systems for Type A Non-Load Limiting products. Different product types meet different aspects of the standard.



ATEX certified

The capability of equipment to work within an explosive atmosphere. Please contact REID for further details.



Capacity

Each system will have a capacity rating clearly stated on the product. The WLL rating should NOT be exceeded under any circumstances.



People required for assembly / operation

An indicator of the people typically required to safely assemble and operate the system in normal situations within manual handling guidelines. Every lift should be supported by the relevant risk assessment and method statement prior to the activity.



Transportation weight / method

The format explains whether the system is 'bagged' or 'flat packed' for easy and safe storage, handling and transportation. May show an indicator of the weight of each system for transportation. Weights may vary.







Working At Height

A safe and reliable solution you can trust when carrying out a range of essential working at height tasks!

Our product range for work at height provides customers with an extensive range of highly portable, lightweight solutions, combined with the ability to utilise structural anchors where it is necessary or convenient to do so.

Our products strength to weight ratios are industry leading, providing anchorages for multiple users in many cases, high levels of safety and greater lifting capacities for maximum efficiency.



Our products for working at height include:



TDAVIT

A portable davit system providing an anchor point for fall arrest or suspended rope access work where a greater height of lift or radius is required. Also providing dual functionality for lifting equipment and machinery.



PORTADAVIT QUANTUM

A davit system providing the ultimate in lightweight portability for fall arrest, whilst also providing dual functionality for lifting equipment and machinery.



PORTABASE

Portable bases for those occasions where permanently installed sockets are not viable, enabling the use of our **TDAVIT** and **PORTADAVIT** QUANTUM.



PORTAGANTRY

Designed for use as overhead anchor systems for multiple users, providing a variety of height adjustment and beam lengths with the added advantage of removable trolleys and winch capability for access, egress and rescue.

> TDAVIT®

Our TDAVIT is ideal for use in rope access and height safety tasks where a taller column or greater reach is required, or where assisted rescue in accordance with BS8610 is needed. A variety of models and accessories provide

simple customisation for specific work environments and building configurations. This product can be used with our range of fixed sockets or **PORTABASE** systems.



EN795
CERTIFIED



BS8610
CERTIFIED



ATEX
CERTIFIED



500KG
WLL



1-2 PERSON
ASSEMBLY



BOXED
& BAGGED

*TDAVIT Winched and TDRAC50003 variant shown
This product is patented

> Key features

- > Tested and certified to EN795:2012 and IRATA ICOP
- > Tested and certified to BS8610 for 1 or 2 users subject to radius of davit
- > Suitable for ATEX environments
- > Suitable for goods and personnel lifting and as a fall arrest anchor point
- > Personnel lifting up to 250kg
- > Goods lifting up to 500kg
- > Two-piece aluminium construction for ease of transport and assembly
- > Clean anodised finish and powder coated system for increased corrosion resistance
- > Suitable for use with a range of REID sockets and portable bases*
- > Davit rotation possible and ease of rotation thanks to patented integral bearing system
- > A range of winch and SRL brackets available for different manufacturers equipment
- > No fixings required, no tools required

*Restrictions apply

> Accessories

- > We offer a range of winch and SRL brackets which are compatible with our TDAVIT Winched variant. The winch brackets can be attached to the column of the system.

> Winch Brackets



Product Code	Description
RAWB000137	Winch Bracket Harken Lockhead/40.2 to T-Davit
RAWB000016	Winch Bracket kit G-Winch to Porta-Davit & T-Davit
RAWB000012	Winch Bracket Salaliffill/Sealed blok to PortaDavit & T-Davit
RAWB000622	Winch bracket Checkmate personnel winch to Porta-Davit & T-Davit
RAWB000135	Winch bracket Checkmate FABXR/FABXLR to T Davit [Additional RAFP bracket required]
RAWB000650	Winch Bracket Kit Tractel Blocfor R to T-Davit & PDQ
RAFP000049	Fall Arrest Checkmate Bracket FABXR-DB2
RAFP000048	Fall Arrest Checkmate Bracket FABXLR-DB2

*Other winch and SRL brackets available. Contact REID for details or refer to our price list

> TDAVIT for Rope Access

- > Our TDAVIT for rope access has been specifically adapted to provide features that are required for best practice by rope access technicians.



> TDRAC50001 & TDRAC50003



> TDRAC50002



> TDAVIT Winched



> Key features

- > EN795:2012 certified and meets the requirements of IRATA ICOP
- > ATEX certified [Zone 2 standard, Zone 1 as an option]
- > Fall arrest capacity – 1 user [max 150kg]
- > Personnel capacity up to 250kg
- > Goods capacity up to 500kg
- > Sheave front and rear of beam for winch rope or winch cable
- > Double shackle head for fall arrest devices
- > Winch bracket options
- > Suitable for use with our range of sockets and portable bases

For other socket options or column heights please contact REID

Product Code	Description	Column weight [kg]	Beam weight [kg]	A [Height of Lift]	B [Radius]
TDWA4A1TD2	T-Davit Type W Column option 4 Beam option 1 WLL 500kg	25	12	1615 - 1930	925 - 1000
TDWA4A2TD2	T-Davit Type W Column option 4 Beam option 2 WLL 500kg	25	13	1625 - 2005	1110 - 1200
TDWA4A3TD2	T-Davit Type W Column option 4 Beam option 3 WLL 375kg	25	16	1645 - 2150	1485 - 1600
TDWA5A1TD2	T-Davit Type W Column option 5 Beam option 1 WLL 500kg	28	12	1925 - 2240	925 - 1000
TDWA5A2TD2	T-Davit Type W Column option 5 Beam option 2 WLL 500kg	28	13	1935 - 2315	1110 - 1200
TDWA5A3TD2	T-Davit Type W Column option 5 Beam option 3 WLL 375kg	28	16	1955 - 2460	1485 - 1600

> TDAVIT For Rope Access



> Key features

- > BS8610 fully compliant*
- > EN795:2012 certified and meets the requirements of IRATA ICOP
- > Fall arrest capacity – 1 user [max 150kg]
- > Maximum rated mass [RM max] – 150kg
- > Two anchor points at rear of column
- > One anchor point on mast for transitioning
- > Double sheave front and rear of beam for ropes
- > Integrated tether for securing davit to socket
- > Suitable for use with top mount and side mount sockets

*See specific product overview for further details

For other socket options or column heights please contact REID

Product Code	Description	Column weight [kg]	Beam weight [kg]	A [Height of Lift]	B [Radius]
TDRA50001	T-Davit BS8610 Compliant - Type A5 Rig for Rescue	28	16	1955 - 2460	1485 - 1600

➤ TDAVIT For Rope Access



➤ Key features

- BS8610 fully compliant* - Type A4 Rescue Accompanied Decent
- EN795:2012 certified and meets the requirements of IRATA ICOP
- Fall arrest capacity – 2 users [max 115kg each]
- Maximum rated mass [RM max] – 150kg
- Maximum system mass [SM max] [Type A4] – 230kg [115kg per user]
- Two anchor points at rear of column
- One anchor point on mast for transitioning
- Double sheave front and rear of beam for ropes
- Double shackle head at the front of beam for ropes
- Integrated tether for securing davit to socket
- Suitable for use with top mount and side mount sockets

*See specific product overview for further details
For other socket options or column heights please contact REID

Product Code	Description	Column weight [kg]	Beam weight [kg]	A [Height of Lift]	B [Radius]
TDRAC50002	T-Davit BS8610 Compliant - Type A4 Rescue Accompanied Decent	28	12	1925 - 2240	925 - 1000

➤ TDAVIT For Rope Access



➤ Key features

- BS8610 fully compliant*
- EN795:2012 certified and meets the requirements of IRATA ICOP
- Fall arrest capacity – 1 user [max 150kg]
- Maximum rated mass [RM max] – 150kg
- Two anchor points at rear of column
- One anchor point on mast for transitioning
- Double sheave front and rear of beam for ropes
- Integrated tether for securing davit to socket
- Suitable for use with top mount and side mount sockets
- Suitable for use with **PORTABASE** Counterbalance**

*See specific product overview for further details **When being used with Counterbalance, BS8610 is not the applicable standard.
For other socket options or column heights please contact REID.

Product Code	Description	Column weight [kg]	Beam weight [kg]	A [Height of Lift]	B [Radius]
TDRAC50003	T-Davit BS8610 Compliant - Type A5 Rig for Rescue including Porta Base Counterbalance	28	13	1935 - 2315	1110 - 1200

▶ PORTADAVIT QUANTUM®

Our **PORTADAVIT QUANTUM** is ideal for use in tasks where lightweight portability is the key priority. A variety of models and accessories provide simple customisation for specific work

environments and building configurations. This product can be used with our range of fixed sockets or **PORTABASE** systems.



EN795
CERTIFIED



ATEX
CERTIFIED



600KG
WLL



1 PERSON
ASSEMBLY



BOXED
& BAGGED

*PDQ1S & PDQ1W variants shown
This product is patented

> Key features

- > Tested and certified to EN795:2012
- > Suitable for ATEX environments
- > Suitable for goods and personnel lifting and as a fall arrest anchor point
- > Personnel lifting up to 300kg
- > Goods lifting up to 600kg
- > One piece aluminium construction for ease of transport and assembly
- > Suitable for use with all REID sockets and portable bases*
- > Davit rotation possible and ease of rotation thanks to patented integral bearing system
- > A range of winch and SRL brackets available for different manufacturers equipment
- > No fixings required, no tools required

*Restrictions apply

> Accessories

- > We offer a range of winch and SRL brackets which are compatible with our davit. The winch brackets can be attached to the column or the backstay of the system
- > We offer a rotational handle which can be fitted to the column to aid in the rotation under load

> Winch Brackets [Column]



Product Code	Description
RAWB000100	Winch Bracket Harken Lokhead to PDQ column
RAWB000021	Winch Bracket G-Winch to PDQ Column
RAWB000635	Winch Bracket Kit SalaliftIII/Sealed blok PDQ Column Inc sheave brk
RAWB000126	Winch Bracket Checkmate FABXR/FABXLR to PDQ column [Additional RAFF bracket required]
RAWB000650	Winch Bracket Kit Tractel Blocfor R to T-Davit & PDQ
RAFP000049	Fall Arrest Checkmate Bracket FABXR-DB2
RAFP000048	Fall Arrest Checkmate Bracket FABXLR-DB2

*Winch brackets for column are supplied with additional sheave kit required

> Winch Brackets [Backstay]



Product Code	Description
RAWB000091	Winch Bracket Harken Lokhead/40.2 PDQ Backstay
RAWB000092	Winch Bracket Harken Lokhead to PDQ Backstay Double Winch
RAWB000098	Winch Bracket G-Winch to PDQ Backstay
RAWB000020	Winch Bracket G-Winch to PDQ Backstay Double winch
RAWB000025	Winch Bracket G-Saver [7 & 14m] to PDQ Backstay
RAWB000616	Winch Bracket SalaliftIII/block PDQ backstay
RAWB000015	Winch bracket Sala to PDQ Backstay Double winch
RAWB000614	Winch Bracket Checkmate FABXR/FABXLR to PDQ backstay [Additional RAFF]
RAWB000650	Winch Bracket Kit Tractel Blocfor R to T-Davit & PDQ

*Other winch and SRL brackets available. Contact REID for details or refer to our price list

> Rotational Handle



Product Code	Description
RATD000006	Rotation Handle to suit T-Davit and PDQ

PORTADAVIT QUANTUM



Key features

- › EN795:2012 certified
- › ATEX certified [Zone 2 standard, Zone 1 as an option]
- › Fall arrest capacity – 1 user
- › Personnel capacity up to 300kg
- › Goods capacity up to 600kg
- › Three radius adjustment points
- › Double shackle head for rigging ropes
- › Suitable for use with our range of sockets
- › Suitable for use with our **PORTABASE** Counterbalance

Product Code	Description	System weight [kg]	A [Height of Lift]	B [Radius]
PDQ1S	Porta-Davit Quantum WLL600kg Rad 900-1200mm, strop and shackle only	18.5	2111	1200

PORTADAVIT QUANTUM

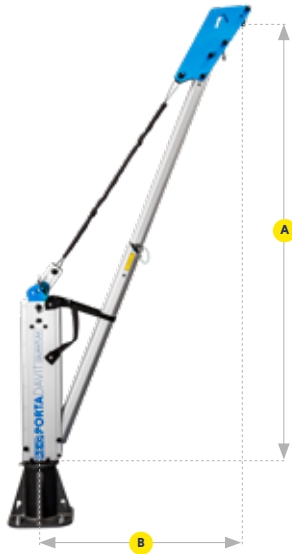


Key features

- › EN795:2012 certified
- › ATEX certified [Zone 2 standard, Zone 1 as an option]
- › Fall arrest capacity – 1 user
- › Personnel capacity up to 300kg
- › Goods capacity up to 600kg
- › Three radius adjustment points
- › Double shackle head for easy attachment of accessories
- › Double sheave head for winches and SRL
- › Suitable for use with our range of sockets
- › Suitable for use with our **PORTABASE** Counterbalance

Product Code	Description	System weight [kg]	A [Height of Lift]	B [Radius]
PDQ1W	Porta-Davit Quantum WLL600kg Rad 900-1200mm, rigid backstay, winch ready	22.5	2111	1200

> PORTADAVIT QUANTUM



> Key features

- > EN795:2012 certified
- > ATEX certified [Zone 2 standard, Zone 1 as an option]
- > Fall arrest capacity – 1 user
- > Personnel capacity up to 250kg
- > Goods capacity up to 500kg
- > Three radius adjustment points
- > Double shackle head for PPE attachment
- > Suitable for use with our range of sockets

Product Code	Description	System weight [kg]	A [Height of Lift]	B [Radius]
PDQ2S	Porta-Davit Quantum WLL500kg Rad 1200-1500mm, strop and shackle only	19	1957	1500

> PORTADAVIT QUANTUM



> Key features

- > EN795:2012 certified
- > ATEX certified [Zone 2 standard, Zone 1 as an option]
- > Fall arrest capacity – 1 user
- > Personnel capacity up to 250kg
- > Goods capacity up to 500kg
- > Three radius adjustment points
- > Double shackle head for easy attachment of accessories
- > Double sheave head for winches and SRL
- > Suitable for use with our full range of sockets

Product Code	Description	System weight [kg]	A [Height of Lift]	B [Radius]
PDQ2W	Porta-Davit Quantum WLL500kg Rad 1200-1500mm, rigid backstay, winch ready	23	1957	1500

▶ PORTABASE®

Our **PORTABASE** Counterbalance product can be used for suspended rope access and fall protection applications on largely level surfaces, where fixed anchors are not available

or desirable. Height adjustment enables use on surfaces that are not entirely level up to a 5 degree pitch.



EN795
CERTIFIED



600KG
WLL



1-2 PERSON
ASSEMBLY



MODULAR
DESIGN

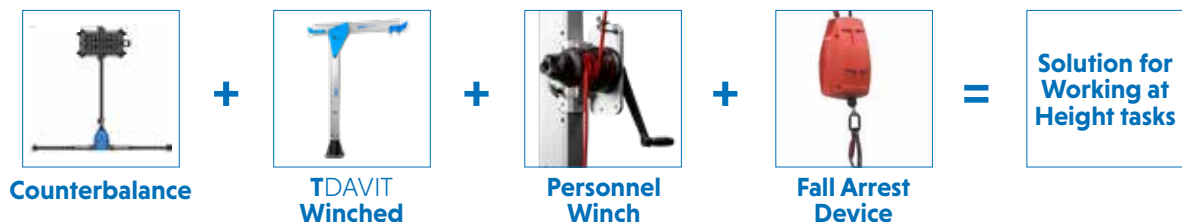
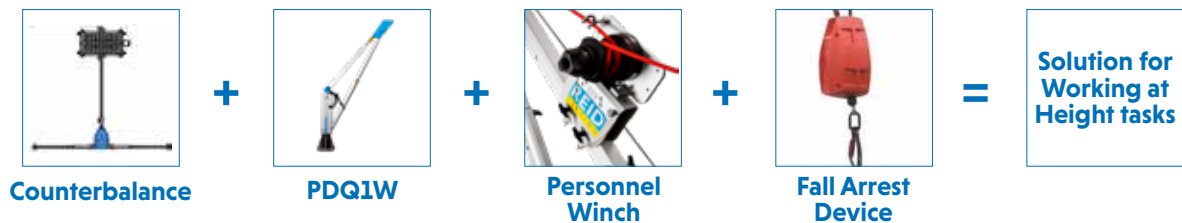
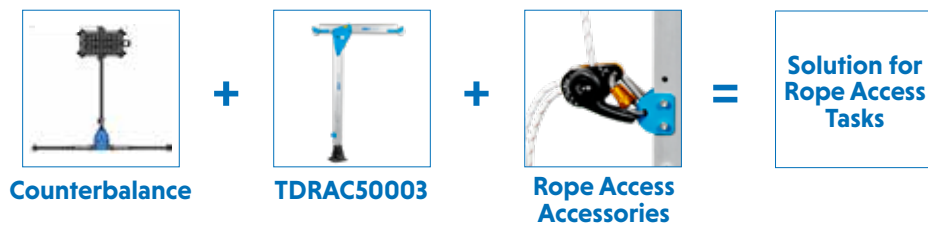
*Shown with TDAVIT Double Winched [supplied separately]

> Key features

- > Tested and certified to EN795:2012 and IRATA ICOP
- > Suitable for goods and personnel lifting and as a fall arrest anchor point
- > Personnel lifting up to 300kg
- > Goods lifting up to 600kg
- > Modular aluminium construction for ease of transport and assembly
- > Suitable for use with the TDAVIT to provide a highly portable rope access solution*
- > 270° Davit rotation possible
- > Adjustable feet to allow for uneven ground levels
- > Integrated swivel castors, as standard
- > No fixings required, no tools required

* A range of options available

> We recommend



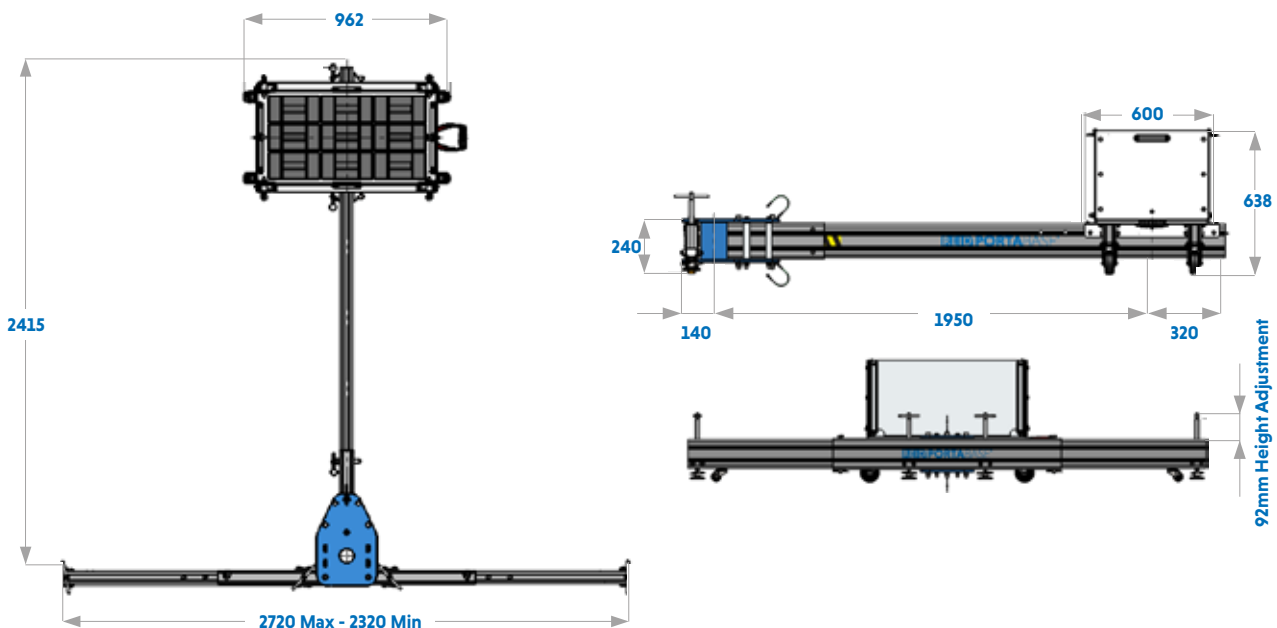
PORTABASE Counterbalance

Key features

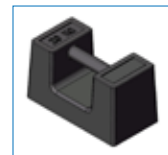
- EN795:2012 certified and meets the requirements of IRATA ICOP when used with a Davit up to a 1200mm radius
- Suitable for use with the TDAVIT TDRAC50003 to provide a highly portable rope access solution*
- Fall arrest capacity – 1 user**
- Personnel capacity up to 300kg
- Goods capacity up to 600kg
- Suitable for use with other TDAVIT systems [refer to product brochure for more information]
- 270° Davit rotation possible

* Restrictions apply

**Fall protection and rope access applications require 360kg of hand weights



Product Code	Description	System Weight [kg]	Max Radius
PBCB00001	Porta Base Counterbalance Standard	78	1200
RAHW00001	Hand Weight [1 x 20kg]	20	
RAHW00003	360kg Hand Weight Set [18 x 20kg]	360	
RAHW00004	540kg Hand Weight Set [27 x 20kg]	540	



Hand Weight

> Basket Height Adjustment



> Key features

- > Fitted to the **PORTABASE** Counterbalance basket
- > Provides an added height adjustment of 230mm
- > Rapid attachment to the basket
- > Each foot can be adjusted independently providing a method of levelling the system on uneven ground

Product Code	Description	System Weight [kg]
RAPBCB0001	Porta Base Counterbalance Basket Height Adjustment Kit	10

> Compatible Systems

> TDAVIT



> PORTADAVIT QUANTUM



> PORTAGANTRY®

Our **PORTAGANTRY** offers an overhead anchor point for multiple users for fall protection, whilst also providing great versatility for lifting goods up to 5000kg. Mobile overhead anchor points can save money on fixed installation costs, whilst providing maximum flexibility and return on investment in many scenarios.

An anchor point above the users head is safer as it reduces free fall distances, reducing the risk of serious injury. Our **PORTAGANTRY** range is highly customisable to meet your specific needs, with a variety of A-Frame height configurations and beam lengths available.



EN795
CERTIFIED



ATEX
CERTIFIED



500-5000KG
WLL



2-4 PERSON
ASSEMBLY



92-294KG
FLAT PACK

This product is patented

Key features

- › Tested and certified to EN795:2012, PD CEN TS 16415:2013 and IRATA ICOP
- › Suitable for ATEX environments
- › Suitable for goods and personnel lifting and as a fall arrest anchor point
- › Personnel lifting up to 2500kg
- › Goods lifting up to 5000kg
- › Fall protection capacity up to 5 users
- › Three piece aluminium construction for ease of transport and assembly
- › 360° swivel locking castors to enable movement in the location of use
- › A range of trolleys for attachment to the beam
- › Winch ready accessories for lowering and rescue
- › A range of height adjustment up to 5.8m and beam lengths up to 9m to meet specific customer need, including wind up jack legs for uneven surfaces

Accessories

- › We offer a range of trolley options which can act as an overhead anchor
- › We offer a range of accessories with our **PORTAGANTRY** range

Trolley Options



Product Code	Description
PGTGS01000	Gated Master link Trolley rated up to 1000kg to Fit A or B Size Beam
PGTGS02000	Gated Master link Trolley rated up to 2000kg to Fit A or B Size Beam
PGTGS01000	Master Link Trolley rated up to 1000kg to Fit A or B Size Beam
PGTGS02000	Master Link Trolley rated up to 2000kg to Fit A or B Size Beam
PGTZL02000	Master Link Trolley rated up to 2000kg to Fit D Size Beam

Gantry Assembly Aid



Product Code	Description
RAPG000200	Assembly Aid Only
RAPG000200 RAPG000201	Snap Hook Strop Kit for Intermediate and Tall Gantry Systems Assembly Aid
RAPG000200 RAPG000202	Snap Hook Strop Kit for TC4 and TC3 Gantry Systems Assembly Aid
RAPG000200 RAPG000203	Snap Hook Strop Kit for TC2 and TC1 Gantry System Assembly Aid
RAPG000204	Bag for assembly aid kit

Wind Up Jack Legs



Product Code	Description
PGWS00001U	Porta Gantry Universal Wind Up Jack Leg WLL5000kg Set of 4
PGWS00002U	Porta Gantry Universal Wind Up Jack Leg S&M up to 2000kg Set of 4

Winch Conversion Kit



Product Code	Description
RAPG000077	Porta Gantry A-frame Conversion Winch Ready Kit

*We offer a wide range of accessories for our **PORTAGANTRY** please see our product brochure for further details.

PORTAGANTRY IT | A-Frames



Key features

- › EN795:2012 certified and meets the requirements of IRATA ICOP
- › Tested to PD CEN TS16415:2013 for multiple users
- › ATEX certified [Zone 2 standard, Zone 1 as an option]
- › Fall arrest capacity – 3 users
- › Personnel capacity up to 500kg
- › Goods capacity up to 1000kg
- › Gated Master link Trolley for attaching fall arrest devices
- › Winch conversion available and a range of winch brackets
- › Wind up Jack Legs available for uneven ground
- › Ratchet height adjustment, as standard

Product Code	Description	Max Height to Lifting Eye [mm]	Fall Arrest Capacity	Goods Capacity [kg]	Beam Options [m]
PGAS01000TC4	Porta Gantry A-Frame TC4 1000kg (Ratchet system) 4.5m HoL	4527	3	1000	3.92 - 9
PGAS01000TC3	Porta Gantry A-Frame TC3 1000kg (Ratchet system) 5.0m HoL	5027	3	1000	3.92 - 9
PGAS01000TC2	Porta Gantry A-Frame TC2 1000kg (Ratchet system) 5.5m HoL	5527	3	1000	3.92 - 9
PGAS01000TC1	Porta Gantry A-Frame TC1 1000kg (Ratchet system) 5.8m HoL	5829	3	1000	3.92 - 9

PORTAGANTRY IT | Beams



Key features

- › Beam comes with integrated carry handles for ease of transportation
- › Multiple holes along the beam provides easy adjustment of beam length on the A-frame
- › A variety of beam lengths which can be interchanged
- › Can support a wide range of trolley options

*For clear operating span reduce beam length by 920mm

Product Code	Description	Beam Length [mm]	Beam Section	Goods Capacity [kg]	Beam Weight [kg]
PGBS01000-3920A	Porta Gantry Beam A WLL1000kg 3920mm	3920	A	1000	29
PGBS01000-4570A	Porta Gantry Beam A WLL1000kg 4570mm	4570	A	1000	34
PGBS01000-5500A	Porta Gantry Beam A WLL1000kg 5500mm	5500	A	1000	41
PGBS01000-6000A	Porta Gantry Beam A WLL1000kg 6000mm	6000	A	1000	44
PGBS01000-8400B	Porta Gantry Beam B WLL1000kg 8400mm	8400	B	1000	79
PGBS01000-9000B	Porta Gantry Beam B WLL1000kg 9000mm	9000	B	1000	84

➤ PORTAGANTRY 2T | A-Frames



➤ Key features

- EN795:2012 certified and meets the requirements of IRATA ICOP
- Tested to PD CEN TS16415:2013 for multiple users
- ATEX certified [Zone 2 standard, Zone 1 as an option]
- Fall arrest capacity – 5 users
- Personnel capacity up to 1000kg
- Goods capacity up to 2000kg
- Gated Master link Trolley for attaching fall arrest devices
- Winch conversion available and a range of winch brackets
- Wind up Jack Legs available for uneven ground
- Ratchet height adjustment, as standard

Product Code	Description	Max Height to Lifting Eye [mm]	Fall Arrest Capacity	Goods Capacity [kg]	Beam Options [m]
PGAS02000TC4	Porta Gantry A-Frame TC4 1000kg (Ratchet system) 4.5m HoL	4527	5	2000	3.92 - 8.4
PGAS02000TC3	Porta Gantry A-Frame TC3 1000kg (Ratchet system) 5.0m HoL	5027	5	2000	3.92 - 8.4
PGAS02000TC2	Porta Gantry A-Frame TC2 1000kg (Ratchet system) 5.5m HoL	5527	5	2000	3.92 - 8.4
PGAS02000TC1	Porta Gantry A-Frame TC1 1000kg (Ratchet system) 5.8m HoL	5829	5	2000	3.92 - 8.4

➤ PORTAGANTRY 2T | Beams



➤ Key features

- Beam comes with integrated carry handles for ease of transportation
- Multiple holes along the beam provides easy adjustment of beam length on the A-frame
- A variety of beam lengths which can be interchanged
- Can support a wide range of trolley options

*For clear operating span reduce beam length by 920mm

Product Code	Description	Beam Length [mm]	Beam Section	Goods Capacity [kg]	Beam Weight [kg]
PGBS02000-3920A	Porta Gantry Beam A WLL2000kg 3920mm	3920	A	2000	29
PGBS02000-4570A	Porta Gantry Beam A WLL2000kg 4570mm	4570	A	2000	34
PGBS02000-5500B	Porta Gantry Beam B WLL2000kg 5500mm	5500	B	2000	52
PGBS02000-6000D	Porta Gantry Beam D WLL2000kg 6000mm	6000	D	2000	93
PGBS02000-8400D	Porta Gantry Beam D WLL2000kg 8400mm Max Length	8400	D	2000	129

*Larger capacity A-Frames available if system being used for dual use [goods lifting and personnel safety] above 2000kg



➤ Confined Spaces

Confined spaces come in all shapes and sizes and that's why our products do too.

Confined spaces can be deadly and many people are killed or seriously injured in confined spaces each year, including people trying to rescue others due to lack of training, competency or proper equipment. Hazardous substances, such as invisible gases or dangerous conditions like explosion risk, heat, flood water or unstable surfaces are commonplace.

Work in confined spaces must be properly planned by qualified and competent people and having the right equipment to enable access, egress and rescue is essential.

Our products for gaining access to and working safely in confined spaces, provide customers with an extensive

range of highly portable, lightweight solutions that give customers maximum choice and flexibility to fit a wide variety of openings and different work site scenarios.

Portability is combined with the choice to utilise permanent structural anchors where it is necessary, practical or convenient to do so.

Our products strength to weight ratios are industry leading, providing anchorages for multiple users in many cases, high levels of safety and greater lifting capacities for maximum efficiency.

All products are available with a range of accessories for the fitment of winches and self retracting lifelines.



Our confined space access products include:



TDAVIT

A portable davit system providing an anchor point for confined space access work where a greater height of lift or radius is required. Also providing dual functionality for lifting equipment and machinery.



PORTADAVIT QUANTUM

A portable davit system providing the ultimate in lightweight portability for confined space access work, whilst also providing dual functionality for lifting equipment and machinery.



PORTABASE

Our range of portable bases for those occasions where permanently installed sockets are not viable, also enabling the use of our TDAVIT and PORTADAVIT QUANTUM.



PORTAGANTRY RAPIDE

For the ultimate in convenience, functionality, strength and stability. For use as an overhead anchor system for multiple users, as an alternative to a tripod, providing greater span and height of lift and a higher capacity with dual functionality for lifting equipment and machinery up to 1000kg.



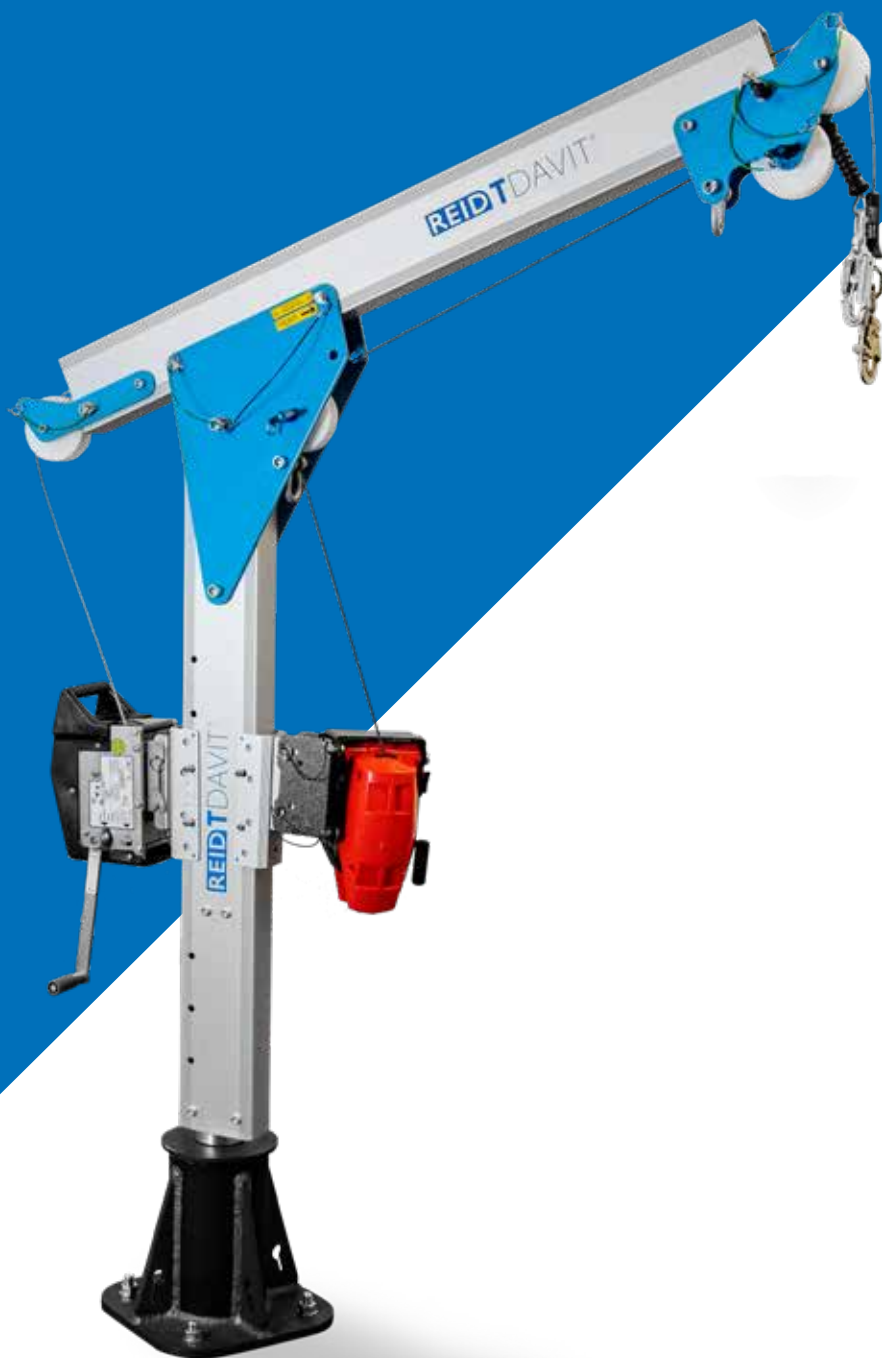
PORTAGANTRY

For very large openings our PORTAGANTRY range with winch ready options and a variety of beam lengths of up to 9m could also be used [see Working At Height section for more details].

> TDAVIT®

Our TDAVIT Winched and Double Winched are ideal for use in confined space access and egress. Different column heights and beam options enable access to a variety of confined spaces and the durable design will ensure years of trouble free use. The TDAVIT can support a wide range of winch brackets which

enables customers to use a number of market leading winches from major manufacturers. In addition to the pulleys for use of winches and retrieval devices, this system has shackle attachment points for PPE and can lift goods up to 600kg, providing a truly versatile piece of essential workplace equipment.



EN795
CERTIFIED



ATEX
CERTIFIED



600KG
WLL



1-2 PERSON
ASSEMBLY



BOXED
& BAGGED

*TDAVIT Double Winched shown
This product is patented

> Key features

- > Tested and certified to EN795:2012 and IRATA ICOP
- > Suitable for ATEX environments
- > Suitable for goods and personnel lifting and as a fall arrest anchor point
- > Personnel lifting up to 300kg
- > Goods lifting up to 600kg
- > Two-piece aluminium construction for ease of transport and assembly
- > Suitable for use with all REID sockets and portable bases*
- > Two radius pin positions
- > Davit rotation possible and ease of rotation thanks to patented integral bearing system
- > A range of winch and SRL brackets available for different manufacturers equipment
- > No fixings required, no tools required

*Restrictions apply

> Accessories

- > We offer a range of winch brackets and SRL brackets which are compatible with our **TDAVIT** Winched variant. The winch brackets can be attached to the column of the system.
- > We offer a rotational handle which can be fitted to the column of the **TDAVIT** to aid in the rotation under load

> Winch Brackets



Product Code	Description
RAWB000137	Winch Bracket Harken Lockhead/40.2 to T-Davit
RAWB000016	Winch Bracket kit G-Winch to Porta-Davit & T-Davit
RAWB000012	Winch Bracket Salalifill/Sealed blok to PortaDavit & T-Davit
RAWB000622	Winch bracket Checkmate personnel winch to Porta-Davit & T-Davit
RAWB000135	Winch bracket Checkmate FABXR/FABXLR to T Davit [Additional RAFP bracket required]
RAWB000650	Winch Bracket Kit Tractel Blocfor R to T-Davit & PDQ
RAFP000049	Fall Arrest Checkmate Bracket FABXR-DB2
RAFP000048	Fall Arrest Checkmate Bracket FABXLR-DB2

*Other winch and SRL brackets available. Contact REID for details or refer to our price list

> Rotational Handle



Product Code	Description
RATD000006	Rotation Handle to suit T-Davit and PDQ

› TDAVIT Winched



› Key features

- › EN795:2012 certified and meets the requirements of IRATA ICOP
- › ATEX certified [Zone 2 standard, Zone 1 as an option]
- › Fall arrest capacity – 1 user
- › Personnel capacity up to 300kg
- › Goods capacity up to 600kg
- › Sheave front and rear of beam for winch rope or winch cable
- › Double shackle head for lifting or attachment of PPE
- › Winch bracket options available for a variety of winches and retrieval SRL's
- › Comes with a carry bag
- › Suitable for use with our range of sockets and portable bases*

* Restrictions apply

Product Code	Description	System weight [kg]	Goods Capacity [kg]	Personnel Capacity [kg]	A [Height of Lift]	B [Radius]
TDWA3A0	T-Davit Type W Column option 3 Beam option 0	34	600	300	1290 - 1540	740 - 800
TDWA3A1	T-Davit Type W Column option 3 Beam option 1	35	500	250	1300 - 1615	925 - 1000
TDWA3A2	T-Davit Type W Column option 3 Beam option 2	36	500	250	1310 - 1690	1100 - 1200
TDWA4A0	T-Davit Type W Column option 4 Beam option 0	36	600	300	1605 - 1855	740 - 800
TDWA4A1	T-Davit Type W Column option 4 Beam option 1	37	500	250	1615 - 1930	925 - 1000
TDWA4A2	T-Davit Type W Column option 4 Beam option 2	38	500	250	1625 - 2005	1100 - 1200
TDWA5A0	T-Davit Type W Column option 5 Beam option 0	39	600	300	1915 - 2165	740 - 800
TDWA5A1	T-Davit Type W Column option 5 Beam option 1	40	500	250	1925 - 2240	925 - 1000
TDWA5A2	T-Davit Type W Column option 5 Beam option 2	41	500	250	1935 - 2315	1100 - 1200

› Suitable Sockets & Bases



Top Mount



Side Mount



Bridge Mount



Flush Mount



H Base*



Counterbalance

* Restrictions apply [systems up to a 800mm radius only with H Base]

> TDAVIT Double Winched



*Winches and Winch Brackets sold separately

> Key features

- > EN795:2012 certified and meets the requirements of IRATA ICOP
- > ATEX certified [Zone 2 standard, Zone 1 as an option]
- > Fall arrest capacity – 1 user
- > Personnel capacity up to 300kg
- > Goods capacity up to 600kg
- > Double sheave front and rear of beam for winch rope or winch cable
- > Double shackle head for lifting or attachment of PPE
- > Winch bracket options available for a variety of winches and retrieval SRL's
- > Comes with a carry bag
- > Suitable for use with our range of sockets and portable bases*

* Restrictions apply

Product Code	Description	System weight [kg]	Goods Capacity [kg]	Personnel Capacity [kg]	A [Height of Lift]	B [Radius]
TDDWA3A0	T-Davit Type DW Column option 3 Beam option 0	34	600	300	1290 - 1540	740 - 800
TDDWA3A1	T-Davit Type DW Column option 3 Beam option 1	35	500	250	1300 - 1615	925 - 1000
TDDWA3A2	T-Davit Type DW Column option 3 Beam option 2	36	500	250	1310 - 1690	1100 - 1200
TDDWA4A0	T-Davit Type DW Column option 4 Beam option 0	36	600	300	1605 - 1855	740 - 800
TDDWA4A1	T-Davit Type DW Column option 4 Beam option 1	37	500	250	1615 - 1930	925 - 1000
TDDWA4A2	T-Davit Type DW Column option 4 Beam option 2	38	500	250	1625 - 2005	1100 - 1200
TDDWA5A0	T-Davit Type DW Column option 5 Beam option 0	39	600	300	1915 - 2165	740 - 800
TDDWA5A1	T-Davit Type DW Column option 5 Beam option 1	40	500	250	1925 - 2240	925 - 1000
TDDWA5A2	T-Davit Type DW Column option 5 Beam option 2	41	500	250	1935 - 2315	1100 - 1200

> Suitable Sockets & Bases



Top Mount



Side Mount



Bridge Mount



Flush Mount



H Base*



Counterbalance

* Restrictions apply [systems up to a 800mm radius only with H Base]

PORTADAVIT QUANTUM[®]

Our **PORTADAVIT QUANTUM** is ideal for use in confined space access and egress tasks where lightweight portability is the key priority. A variety of models and accessories provide

simple customisation for specific work environments and building configurations. This product can be used with our range of fixed sockets or **PORTABASE** systems.



EN795
CERTIFIED



ATEX
CERTIFIED



600KG
WLL



1 PERSON
ASSEMBLY



BOXED
& BAGGED

*PDQ1W variant shown
This product is patented

› Key features

- › Tested and certified to EN795:2012
- › Suitable for ATEX environments
- › Suitable for goods and personnel lifting and as a fall arrest anchor point
- › Personnel lifting up to 300kg
- › Goods lifting up to 600kg
- › One piece aluminium construction for ease of transport and assembly
- › Suitable for use with all REID sockets and portable bases*
- › Davit rotation possible and ease of rotation thanks to patented integral bearing system
- › A range of winch and SRL brackets available for different manufacturers equipment
- › No fixings required, no tools required

*Restrictions apply

› Accessories

- › We offer a range of winch and SRL brackets which are compatible with our davit. The winch brackets can be attached to the column or the backstay of the system
- › We offer a rotational handle which can be fitted to the column to aid in the rotation under load

› Winch Brackets [Column]



Product Code	Description
RAWB000100	Winch Bracket Harken Lokhead to PDQ column
RAWB000021	Winch Bracket G-Winch to PDQ Column
RAWB000635	Winch Bracket Kit Salalifill/Sealed blok PDQ Column Inc sheave brk
RAWB000126	Winch Bracket Checkmate FABXR/FABXLR to PDQ column [Additional RAFP bracket required]
RAWB000650	Winch Bracket Kit Tractel Blocfor R to T-Davit & PDQ
RAFP000049	Fall Arrest Checkmate Bracket FABXR-DB2
RAFP000048	Fall Arrest Checkmate Bracket FABXLR-DB2

*Winch brackets for column are supplied with additional sheave kit required

› Winch Brackets [Backstay]



Product Code	Description
RAWB000091	Winch Bracket Harken Lokhead/40.2 PDQ Backstay
RAWB000092	Winch Bracket Harken Lokhead to PDQ Backstay Double Winch
RAWB000098	Winch Bracket G-Winch to PDQ Backstay
RAWB000020	Winch Bracket G-Winch to PDQ Backstay Double winch
RAWB000025	Winch Bracket G-Saver [7 & 14m] to PDQ Backstay
RAWB000616	Winch Bracket Salalifill/block PDQ backstay
RAWB000015	Winch bracket Sala to PDQ Backstay Double winch
RAWB000614	Winch Bracket Checkmate FABXR/FABXLR to PDQ backstay [Additional RAFP]
RAWB000650	Winch Bracket Kit Tractel Blocfor R to T-Davit & PDQ

*Other winch and SRL brackets available. Contact REID for details or refer to our price list

› Rotational Handle



Product Code	Description
RATD000006	Rotation Handle to suit T-Davit and PDQ

PORTADAVIT QUANTUM



Key features

- › EN795:2012 certified
- › ATEX certified [Zone 2 standard, Zone 1 as an option]
- › Fall arrest capacity – 1 user
- › Personnel capacity up to 300kg
- › Goods capacity up to 600kg
- › Three radius adjustment points
- › Double shackle head for easy attachment of accessories
- › Double sheave head for winches and SRL
- › Suitable for use with our range of Top Mount, Side Mount, Bridge Mount and Cast In sockets
- › Suitable for use with our **PORTABASE** Counterbalance

Product Code	Description	System weight [kg]	A [Height of Lift]	B [Radius]
PDQ1W	Porta-Davit Quantum WLL600kg Rad 900-1200mm, rigid backstay, winch ready	22.5	2111	1200

PORTADAVIT QUANTUM



Key features

- › EN795:2012 certified
- › ATEX certified [Zone 2 standard, Zone 1 as an option]
- › Fall arrest capacity – 1 user
- › Personnel capacity up to 250kg
- › Goods capacity up to 500kg
- › Three radius adjustment points
- › Double shackle head for easy attachment of accessories
- › Double sheave head for winches and SRL
- › Suitable for use with our full range of Top Mount, Side Mount, Bridge Mount and Cast In sockets

Product Code	Description	System weight [kg]	A [Height of Lift]	B [Radius]
PDQ2W	Porta-Davit Quantum WLL500kg Rad 1200-1500mm, rigid backstay, winch ready	23	1957	1500

> PORTADAVIT QUANTUM



> Key features

- > EN795:2012 certified
- > ATEX certified [Zone 2 standard, Zone 1 as an option]
- > Fall arrest capacity – 1 user
- > Personnel capacity up to 300kg
- > Goods capacity up to 600kg
- > Fixed 800mm radius
- > Double shackle head for easy attachment of accessories
- > Double sheave head for winches and SRL
- > Suitable for use with our range of Top Mount, Side Mount, Bridge Mount and Cast In sockets
- > Suitable for use with our **PORTABASE** Counterbalance and H Base

Product Code	Description	System weight [kg]	A [Height of Lift]	B [Radius]
PDQRW	Porta-Davit Quantum WLL600kg Rad 800mm, rigid backstay, winch ready	22.5	2078	800

> Suitable Sockets & Bases



Top Mount



Side Mount



Bridge Mount



Flush Mount



H Base*



Counterbalance**

* Restrictions apply - Systems up to a 800mm radius only with H Base

** Systems up to a 1200mm radius only with Counterbalance

PORTABASE®

Our **PORTABASE** Counterbalance, Trailer Hitch and H Base systems can be used for confined space access and egress applications on largely level surfaces, where fixed anchors are not available or desirable. Height adjustment

enables use on surfaces that are not entirely level up to a 5 degree pitch. Additionally, we have our **PORTABASE** Trench mount to enable utilisation of our davits in trenching and shoring applications.



EN795
CERTIFIED



600KG
WLL



1-2 PERSON
ASSEMBLY



MODULAR
DESIGN

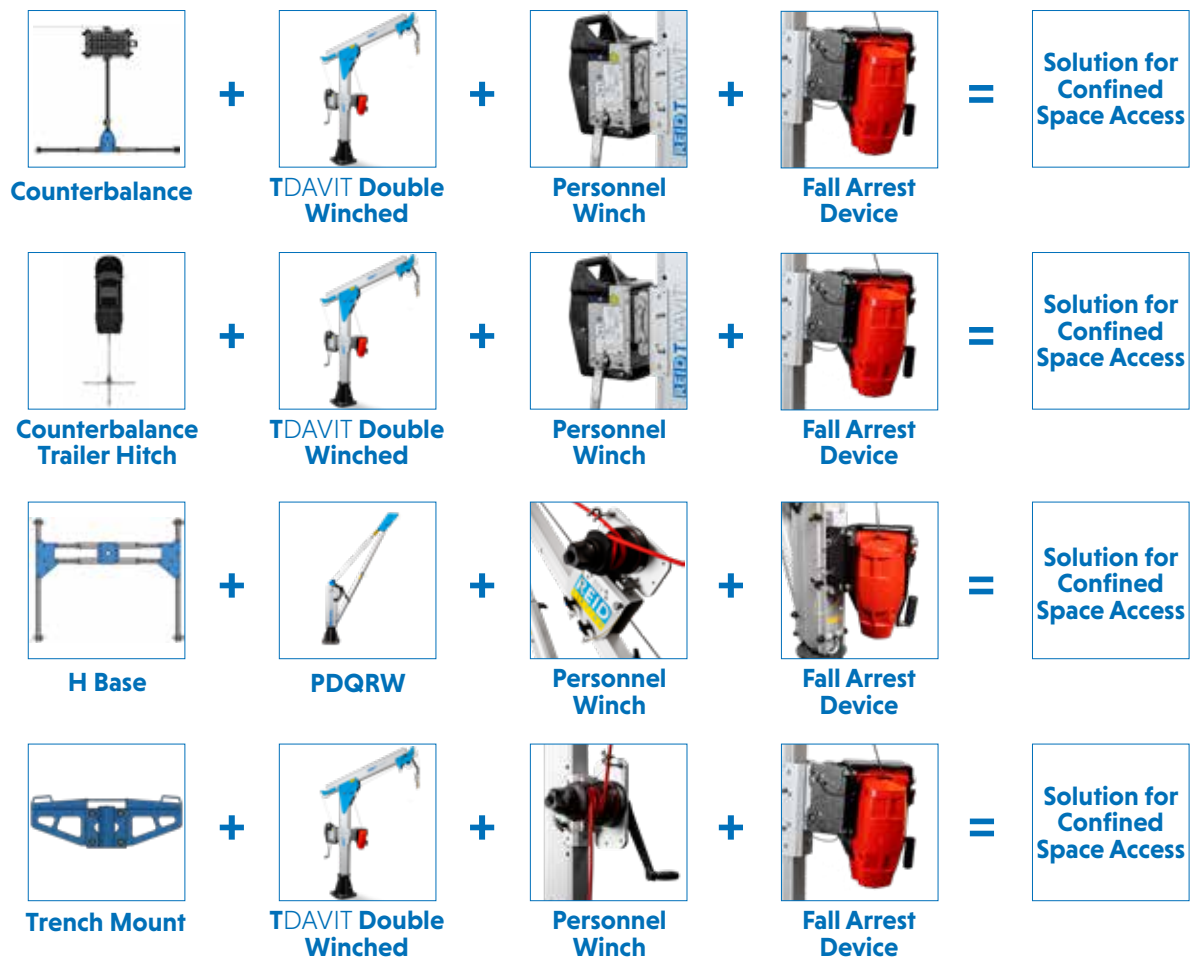
*Counterbalance system shown with PDQ1W, Winch and Fall Arrest Device

> Key features

- > Tested and certified to EN795:2012 and IRATA ICOP
- > Suitable for goods and personnel lifting and as a fall arrest anchor point
- > Personnel lifting up to 300kg
- > Goods lifting up to 600kg
- > Modular aluminium construction for ease of transport and assembly
- > Suitable for use with the **TDAVIT** and **PORTADAVIT^{QUANTUM}** to provide a highly portable confined space access solution*
- > Davit rotation for personnel recovery
- > Levelling feet designed to support the system on uneven ground, as standard
- > Height Adjustable feet to allow for uneven ground levels for the Counterbalance
- > Integrated swivel castors, as standard with the Counterbalance
- > No fixings required, no tools required

* A range of options available

> We recommend

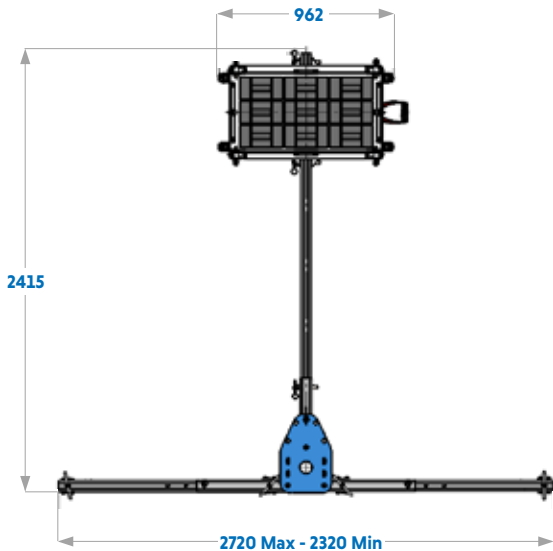


> Counterbalance Basket Height Adjustment



Product Code	Description
RAPBCB0001	Porta Base Counterbalance Basket Height Adjustment Kit

PORTABASE Counterbalance



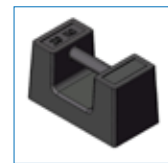
Key features

- EN795:2012 certified and meets the requirements of IRATA ICOP when used with a Davit up to a 1200mm radius
- Suitable for use with the TDAVIT TDRAC50003 or PORTADAVIT QUANTUM 1 to provide a highly portable confined space solution*
- Fall arrest capacity – 1 user**
- Personnel capacity up to 300kg
- Goods capacity up to 600kg
- Suitable for use with other TDAVIT systems [refer to product brochure for more information]
- 270° Davit rotation possible

* Restrictions apply

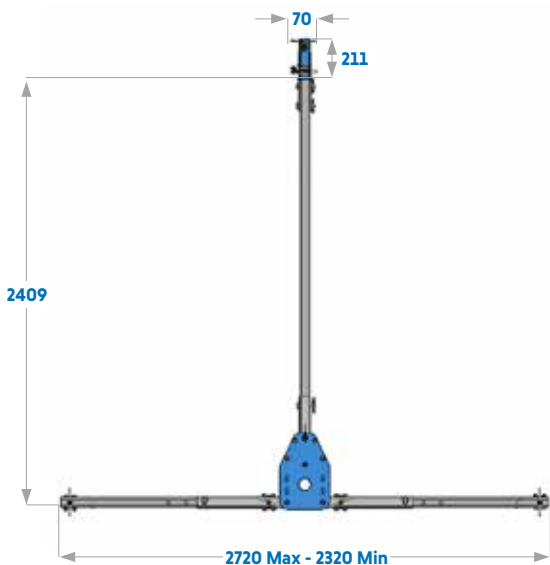
**Fall protection and rope access applications require 360kg hand weight

Product Code	Description	System Weight [kg]	Max Radius [mm]
PBCB00001	Porta Base Counterbalance Standard - Max 1200mm Radius	78	1200
RAHW00001	Hand Weight [1 x 20kg]	20	
RAHW00003	360kg Hand Weight Set [18 x 20kg]	360	
RAHW00004	540kg Hand Weight Set [27 x 20kg]	540	



Hand Weight

PORTABASE Counterbalance Trailer Hitch



Key features

- EN795:2012 certified and meets the requirements of IRATA ICOP when used with a Davit up to a 1200mm radius
- Suitable for use with the TDAVIT or PORTADAVIT QUANTUM 1 to provide a highly portable confined space solution*
- Fall arrest capacity – 1 user
- Personnel capacity up to 225kg
- Goods capacity up to 450kg
- 270° Davit rotation possible
- Suitable for use with a 2000kg vehicle
- Can be connected parallel or perpendicular to the vehicle

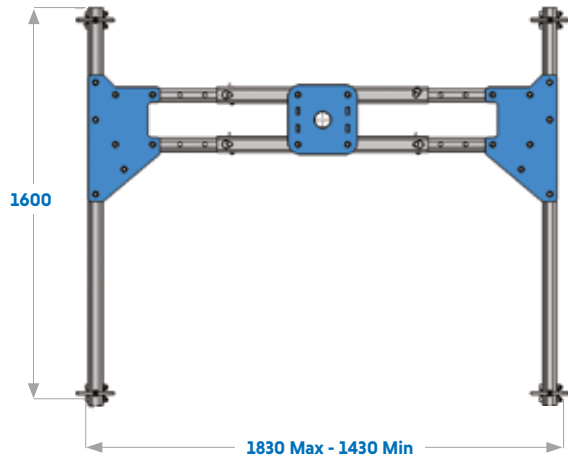
* Restrictions apply

Product Code	Description	System Weight [kg]	Max Radius [mm]
PBCB00003	Porta Base Counterbalance Trailer Hitch - Max 1200mm Radius	45	1200
RAPBCB0002	Porta Base Counterbalance Trailer Hitch Connector	5	



Connector

➤ PORTABASE H Base



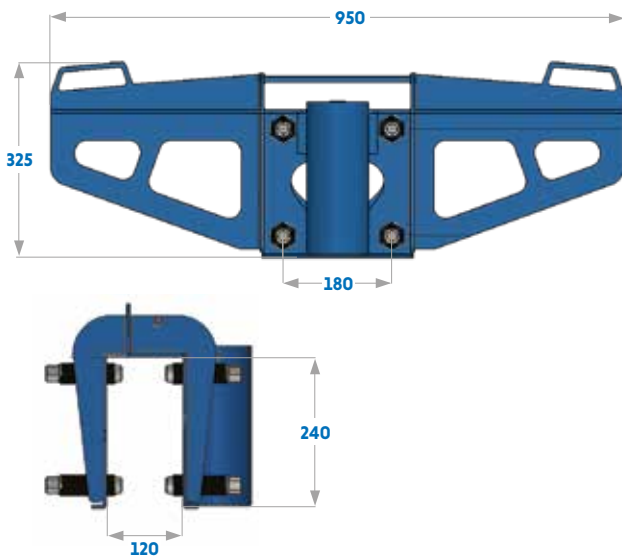
➤ Key features

- EN795:2012 certified and meets the requirements of IRATA ICOP when used with a Davit up to a 800mm radius
- Suitable for use with the TDAVIT or PORTADAVIT ^{QUANTUM} reduced radius to provide a highly portable confined space solution*
- Fall arrest capacity – 1 user
- Personnel capacity up to 300kg
- Goods capacity up to 600kg
- 180° Davit rotation possible

* Restrictions apply

Product Code	Description	System Weight [kg]	Max Radius [mm]
PBHB00001	Porta Base H Base Standard - Max 800mm Radius	63.5	800

➤ PORTABASE Trench Mount



➤ Key features

- EN795:2012 Type B certified
- Suitable for use with Davits up to a maximum radius of 1200mm
- Fall arrest capacity – 1 user
- Personnel capacity up to 250kg*
- Goods capacity up to 500kg*
- Galvanised steel construction and powder coated finish
- Designed for use in trenching and shoring applications subject to structural validation

*Dependant on Davit Operational Arc [See Porta Base Assembly & Operation Guide for further information]

See technical product overview for detailed information

Product Code	Description	System Weight [kg]	Max Radius [mm]
PBTM00001	Porta Base Trench Mount - Max 1200mm Radius	25	1200

PORTAGANTRY RAPIDE®

Our **PORTAGANTRY RAPIDE** is a single piece, foldable gantry with unrivalled versatility. A highly portable system which can be assembled by a trained person in just one minute, making it ideal for emergency situations. This system offers an overhead anchor point for multiple users in confined

space tasks and can be dressed to enable access and egress with a winch and secondary fall arrest device. This system also provides versatility for lifting goods up to 1000kg. This system is highly customisable to meet unique lifting requirements, with a variety of height configurations and beam lengths.



EN795
CERTIFIED



ATEX
CERTIFIED



1000KG
WLL



1-2 PERSON
ASSEMBLY



37-69KG
COMPACT
STORAGE

This product is patented

Key features

- › Tested and certified to EN795:2012, PD CEN TS 16415:2013 and IRATA ICOP
- › Suitable for ATEX environments
- › Suitable for goods and personnel lifting and as a fall arrest anchor point
- › Personnel lifting up to 500kg
- › Goods lifting up to 1000kg
- › Fall protection capacity up to 3 users
- › One piece aluminium construction for ease of transport and assembly
- › 360° lockable, height adjustable swivel castors to enable movement in the location of use
- › A range of trolley options and sheave carriers designed for quick attachment to the beam
- › Winch ready accessories for lowering and rescue
- › A range of height adjustment and beam lengths up to 4m to meet specific customer need

Accessories

- › We offer a range of accessories such as gated trolley options which are designed for rapid attachment to the beam and winch ready accessories from sheaves to winch brackets for lowering applications

Trolley Options



Product Code	Description
PGTXR00500	Trolley Close Coupled WLL500kg
PGTXR01000	Trolley Close Coupled WLL1000kg
PGTZR00500	Trolley Master Link WLL500kg
PGTZR01000	Trolley Master Link WLL1000kg

Sheave Carriers



Product Code	Description
PGTTR00501	Double Sheave Carrier up to 500kg
PGTUR00501	Single Sheave Carrier up to 500kg
PGTTR01001	PGR Double Sheave Carrier - WLL500kg
PGTUR01001	PGR Single Sheave Carrier - WLL500kg

Winch Brackets



Product Code	Description
RAWB000090	Winch Bracket Harken Lokhead to Rapide
RAWB000112	Winch Bracket Harken 40.2 to Porta-Gantry Rapide
RAWB000024	Winch Bracket kit G-Saver [7 & 14m] to Rapide S & M size
RAWB000029	Winch Bracket Kit G-SaverII [20 & 34m] Porta Gantry Rapide 500
RAWB000019	Winch bracket G-Winch to Rapide & Gantry S & M size
RAWB000014	Winch bracket Salalift II/Sealed blok to Rapide & PGAS S & M
RAWB000033	Winch bracket Checkmate personnel winch to Rapide (Includes Checkmate Tripod Bracket)
RAWB000662	Winch Bracket Kit Tractel Blocfor to Rapide Trap plate
RAWB000033C1	Winch Bracket Checkmate personnel to Rapide - REID brkt only

*Other winch and SRL brackets available. Contact REID for details or refer to our price list

Sheave



Product Code	Description
RAPGR00032	Rapide Universal Sheave and Ball Lock Pin Set

*If ordering a single sheave carrier, add one Universal Sheave
If ordering a double sheave carrier, add two Universal Sheaves

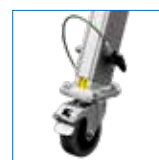
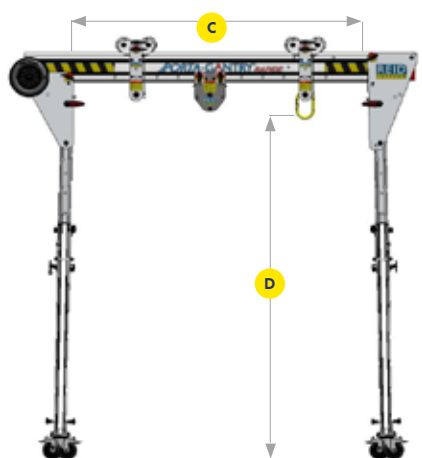
PORTAGANTRY RAPIDE 250-500kg



Key features

- › EN795:2012 certified and meets the requirements of IRATA ICOP
- › Tested to PD CEN TS16415:2013 for multiple users
- › ATEX certified [Zone 2 standard]*
- › Fall arrest capacity – up to 3 users
- › Personnel capacity up to 250kg
- › Goods capacity up to 500kg
- › Gated trolley options and sheave carriers for attaching fall arrest devices
- › A range of winch brackets available for the trap plate or upright
- › Winch ready accessories for lowering and rescue
- › Easy height adjustment

*Can be supplied with all stainless steel fixings or marine specification as a custom request



Standard Castor



Adjustable Articulated

Product Code*	Description	Weight [kg]	DMin Height to Lifting Eye [mm]	DMax Height to Lifting Eye [mm]	Fall Arrest Capacity	Goods Capacity [kg]
PGRS20	PORTA-GANTRY RAPIDE STANDARD with 2.0m beam	37	1450	2050	3	500
PGRS23	PORTA-GANTRY RAPIDE STANDARD with 2.3m beam	38	1450	2050	2	400
PGRS40	PORTA-GANTRY RAPIDE STANDARD with 4.0m beam	43	1450	2050	1	250
PGRM20	PORTA-GANTRY RAPIDE MEDIUM with 2.0m beam	38	1450	2154	2	400
PGRM23	PORTA-GANTRY RAPIDE MEDIUM with 2.3m beam	38	1454	2154	2	400
PGRM40	PORTA-GANTRY RAPIDE MEDIUM with 4.0m beam	44	1454	2154	1	250
PGRT20	PORTA-GANTRY RAPIDE TALL with 2.0m beam	42	1928	2928	1	250
PGRT23	PORTA-GANTRY RAPIDE TALL with 2.3m beam	43	1928	2928	1	250
PGRT40	PORTA-GANTRY RAPIDE TALL with 4.0m beam	48	1928	2928	1	250

* Add a [J] standard castor or [K] adjustable articulated to the end of the part number for foot choice.

** For Clear operating span [C] reduce overall beam length by 500mm
For further information review detailed product brochure on our website

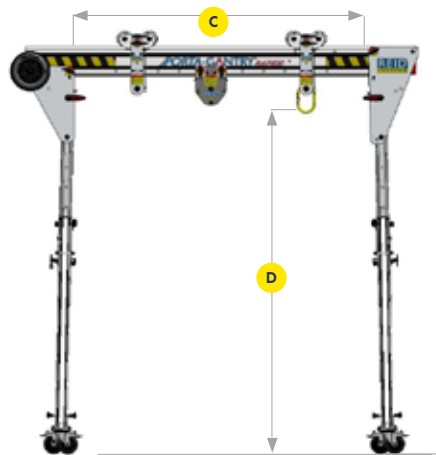
▶ PORTAGANTRY RAPIDE 1000kg



▶ Key features

- ▶ EN795:2012 certified and meets the requirements of IRATA ICOP
- ▶ Tested to PD CEN TS16415:2013 for multiple users
- ▶ ATEX certified [Zone 2 standard, Zone 1 as an option]
- ▶ Fall arrest capacity – up to 3 users
- ▶ Personnel capacity up to 500kg
- ▶ Goods capacity up to 1000kg
- ▶ Gated trolley options and sheave carriers for attaching fall arrest devices
- ▶ A range of winch brackets available for the trap plate or upright
- ▶ Winch ready accessories for lowering and rescue
- ▶ Easy height adjustment

*Can be supplied with all stainless steel fixings, marine specification or ATEX Zone 1 as a custom request



Standard Castor



Adjustable Articulated

Product Code*	Description	Weight [kg]	DMin Height to Lifting Eye [mm]	DMax Height to Lifting Eye [mm]	Fall Arrest Capacity	Goods Capacity [kg]
PGR1TS20	PORTA-GANTRY RAPIDE STANDARD with 2.0m beam	52	1430	1930	3	1000
PGR1TS30	PORTA-GANTRY RAPIDE STANDARD with 3.0m beam	57	1430	1930	3	1000
PGR1TS40	PORTA-GANTRY RAPIDE STANDARD with 4.0m beam	61	1430	1930	3	1000
PGR1TM20	PORTA-GANTRY RAPIDE MEDIUM with 2.0m beam	56	1740	2440	3	1000
PGR1TM30	PORTA-GANTRY RAPIDE MEDIUM with 3.0m beam	60	1740	2440	3	1000
PGR1TM40	PORTA-GANTRY RAPIDE MEDIUM with 4.0m beam	65	1740	2440	3	1000
PGR1TT20	PORTA-GANTRY RAPIDE TALL with 2.0m beam	60	1980	2880	3	1000
PGR1TT30	PORTA-GANTRY RAPIDE TALL with 3.0m beam	64	1980	2880	3	1000
PGR1TT40	PORTA-GANTRY RAPIDE TALL with 4.0m beam	69	1980	2880	3	1000

* Add a [J] standard castor or [K] adjustable articulated to the end of the part number for foot choice.

** For Clear operating span [C] reduce overall beam length by 500mm
For further information review detailed product brochure on our website

> SOCKETS & PEDESTALS

We manufacture a range of standard sockets, socket extensions and pedestals that are fully compatible with our Davit range and suitable for a variety of structures. Available in aluminium, galvanised steel and stainless

steel. We can also manufacture customised sockets and pedestals on request. Our socket extensions and pedestals are designed to provide additional height or reach over obstacles, protective rails or walls.



Our sockets are part of a fall protection and personnel lifting system, which includes a REID Lifting Davit. Only sockets manufactured by REID Lifting may be used with our Davit's. Failure to use REID sockets will invalidate any product certification and warranty and exposes the user to unnecessary and unwarranted risk. Before fixing always consult a structural engineer to confirm suitability for the loads that will be imposed during use, allowing for the required safety factors.

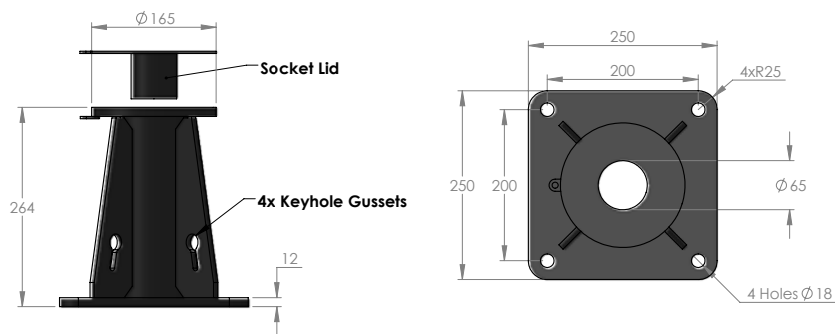
➤ Top Mount Socket



➤ Key features

- Secured using 4nr. M16 anchors [not supplied]
- Suitable for resin fixing in concrete or through fixing in other substrates

Product Code	Description	Material	Weight [kg]	Certifications
STMG0500V2	Socket Top Mount 65 GMS	Galvanised Steel	13	EN795:2012, BS8610:2017, IRATA ICOP
STMS0500V2	Socket Top Mount 65 316SS	Stainless Steel	17	EN795:2012, IRATA ICOP
STMA0500	Socket Top Mount 65 Aluminium Natural Anodised	Aluminium	9	EN795:2012, IRATA ICOP



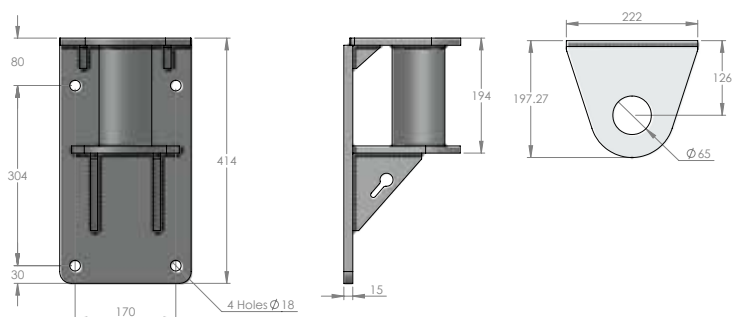
➤ Side Mount Socket



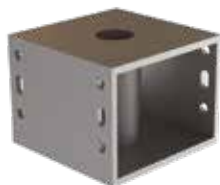
➤ Key features

- Secured using 4nr. M16 anchors [not supplied]
- Suitable for mounting on the side of concrete or steel structures
- A brace plate can be supplied for thin-walled concrete

Product Code	Description	Material	Weight [kg]	Certifications
SSMG0500V2	Socket Side Mount 65 GMS	Galvanised Steel	13	EN795:2012, BS8610:2017, IRATA ICOP
SSMS0500V2	Socket Side Mount 65 316SS	Stainless Steel	17	EN795:2012, IRATA ICOP
SSMA0500	Socket Side Mount 65 Aluminium Natural Anodised	Aluminium	6	EN795:2012, IRATA ICOP



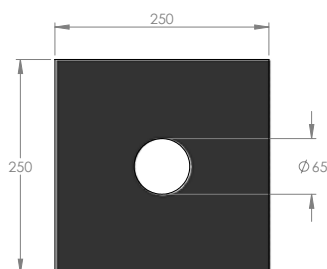
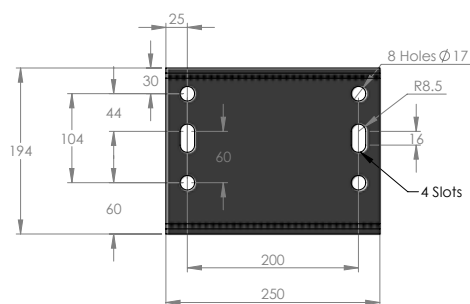
Bridge Mount Socket



Key features

- Secured using 4nr. M16 anchors [not supplied]
- Suitable for bolting into steel structures
- Designed to fit open mesh grating or flush with structural steel work

Product Code	Description	Material	Weight [kg]	Certifications
SBMG0500	Socket Bridge Mount 65 GMS	Galvanised Steel	19	EN795:2012, IRATA ICOP
SBMS0500	Socket Bridge Mount 65 316SS	Stainless Steel	19	EN795:2012, IRATA ICOP
SBMA0500	Socket Bridge Mount 65 Aluminium Natural Anodised	Aluminium	7	EN795:2012, IRATA ICOP



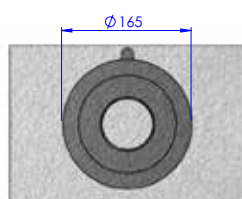
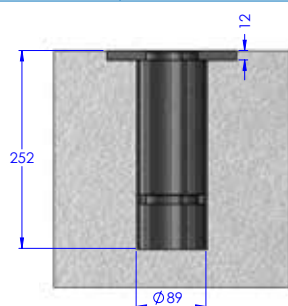
Flush Mount Socket



Key features

- Suitable for resin fixing in concrete
- Complete with cover and re-bars, for casting into concrete

Product Code	Description	Material	Weight [kg]	Certifications
SFMG0500	Socket Flush Mount 65 GMS	Galvanised Steel	5	EN795:2012, IRATA ICOP
SFMS0500	Socket Flush Mount 65 316SS	Stainless Steel	4	EN795:2012, IRATA ICOP
SFRG0500	Socket Flush Mount Resin Bond 65 GMS	Galvanised Steel	5	EN795:2012, IRATA ICOP
SFRS0500	Socket Flush Mount Resin Bond 65 316SS	Stainless Steel	4	EN795:2012, IRATA ICOP



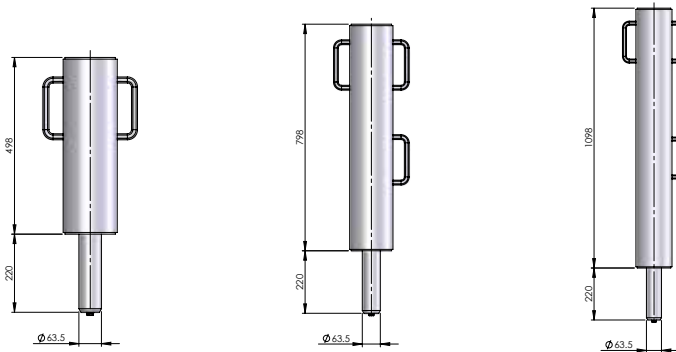
➤ Socket Extensions



➤ Key features

- Suitable for use with 65mm kingpin
- EN795:2012 Certified up to 1600mm radius

Product Code	Description	Material	Weight [kg]	Certifications
SE0500-0500	Socket Extension 500	Aluminium	12	EN795:2012
SE0500-0800	Socket Extension 800	Aluminium	15	EN795:2012
SE0500-1100	Socket Extension 1100	Aluminium	17	EN795:2012



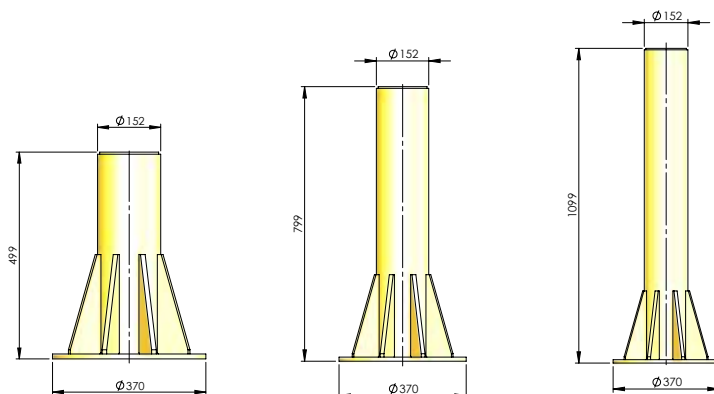
➤ Socket Pedestals



➤ Key features

- Suitable for use with 65mm kingpin
- EN795:2012 Certified up to 1600mm radius
- Secured using 4nr. M16 or M20 anchors [not supplied]

Product Code	Description	Material	Weight [kg]	Certifications
SP0500-0500	Socket Pedestal 65 500mm	Aluminium	17	EN795:2012, IRATA ICOP
SP0500-0800	Socket Pedestal 65 800mm	Aluminium	19	EN795:2012, IRATA ICOP
SP0500-1100	Socket Pedestal 65 1100mm	Aluminium	19	EN795:2012, IRATA ICOP



> Technical Guidance

When carrying out working at height and confined space access tasks you must ensure that it is correctly planned and the risks have been considered to provide maximum safety.



Be Prepared

Before considering work at height, or access in to a confined space, carry out a risk assessment for all of the work activities that will be undertaken, identify the hazards and determine what precautions you will take to minimize the risk. Plan and be prepared for the worst.

Ensure that personnel are competent, fit for the task, have the right equipment and are trained in its correct use. Have a competent person supervise the work.

Fall Clearance

When considering the suitability of your chosen solution, ensure that you take account of fall clearances required to protect the worker and safely arrest the fall. Where ever possible, fall clearances should be minimised, by ensuring the anchor is above the users head and the user equipment, such as a retractable lifeline, minimises the free fall distance.

Always allow a safety factor of 1m [3ft] to take account of stretch or deflection in components. Ensure hazards are not present beneath the fall hazard, that could cause injury.

Our products are designed to minimise deflection and therefore reduce the required fall clearance.

Swing Fall Hazards

When considering the suitability of your chosen solution, ensure that it can be located above the workers head, with minimal

opportunity for a swing fall to occur. Swing falls can cause injury to the worker and can also destabilise portable devices. The greater the angle from the worker to the anchor, the greater the arc, the faster the velocity and the greater the risk.

When selecting your product and determining how you will put it in to use, familiarise yourself with the limitations and restrictions in respect of deviations from the centre of the anchor.

When using a gantry, workers must not go outside of the footprint of the A frames. When using a davit, follow the instructions for maximum deviations, as going beyond approved limits can exponentially increase loads on sockets and bases, leading to potential system failure.

Rescue Planning

When considering the suitability of your chosen solution, ensure that you have a plan to enable the rescue of a fallen worker or workers should the need arise.

Leaving workers suspended in safety harnesses for prolonged periods of time can cause physical and psychological trauma. By minimising fall clearance and planning for this eventuality, the difficulties and challenges associated with rescue can be reduced.

REID Lifting offer products and accessories that can be used to assist with rescue when using our gantries and davits. Please contact a member of our team for more information.

Installation of Sockets

When installing sockets for davits, it is essential that the substrate or structure to which the socket is being fitted is validated as suitable by a qualified person, such as a structural engineer.

Where installing in to concrete using a chemical resin, the depth of the hole that is drilled in the concrete is dependent upon the type of concrete and the radius of the davit.

Please refer to our product overview for guidance. [All scenarios should be independently validated before installation. Only trained and competent personnel should carry out socket installations].

Following installation in concrete and after the chemical resin has cured in accordance with manufacturers instructions, the anchors should be proof load tested before the system is put in to first use.

Limitations of Use

When considering the suitability of your chosen solution, ensure that you fully understand the limitations of use of the equipment. Misuse could lead to serious injury or death.

For more information please read our Assembly & Operation Guides available to view and download on our website reidlifting.com.

> Contact Us

REID Lifting

Unit 1 Wyeview,
Newhouse Farm Ind Estate
Chepstow, Monmouthshire
NP16 6UD UK

- > +44 (0)1291 620 796
- > +44 (0)1291 626 490 (Fax)
- > enquiries@reidlifting.com
- > www.reidlifting.com

REID Lifting Inc.

7900 International Drive,
Suite 300,
Bloomington,
MN 55425
USA

- > +1-888-721-6411
- > info@reidlifting.com
- > us.reidlifting.com